

AITT MARCH 2021

TRADE-LIFT AND ESCALATOR

PRACTICAL

TIME 8 HRS

MARKS: 250

NOTE-ATTEMPT ALL QUESTIONS.

- 1 Perform the safe operation of different types of lifts,escalators,moving walkways,belt conveyors And bucket conveyors.(marks 100)
- 2 Prepare electrical wire joints,carry out soldering,crimping and measure insulation resistance.(marks 100)
- 3 Assemble simple electronic circuits and test for functioning.(marks 50)

Downloaded From : [anilsiriti.in](http://anilsiriti.in)



AITT MARCH-2021  
INSTRUMENT MECHANICS (PRACTICAL)  
ANNUAL SYSTEM (1<sup>st</sup> year)

TIME- 08 Hours

FM-250

Attempt all question. All question carry equal marks

1. Identify and demonstrate various control element on front panel of a CRO .
2. Measure the voltage between phase and ground and verify earthing.
3. Identify the types of switches/ fuses there rating and there application.

Downloaded From : [anilsiriti.in](http://anilsiriti.in)

INFORMATION COMMUNICATION TECHNOLOGY SYSTEM MAINTENANCE /IT  
NSQF –LEVEL 5  
ANNUAL EXAMINATION  
PRACTICAL

TIME : 8 HRS

MARKS:250

ATTEMPT ANY THREE QUESTION .ALL QUESTION CARRY EQUAL MARKS

किन्ही तीन प्रश्नों के उत्तर दें | सभी प्रश्नों का मान बराबर है |

1. Remove the mother board from PC cabinet and identify the following : (80)  
पीसी कैबिनेट से मदर बोर्ड निकालें और निम्नलिखित की पहचान करें  
  - i. the form factor of the mother board
  - ii. the chipset used
  - iii. the types of slots available for memory modules
  - iv. the number of slots available for add-in card
  - v. the jumper settings
  
2. Remove the SMPS from PC cabinet. Identify the types of output connectors of SMPS  
Fix the SMPS inside the PC cabinet and test PC. (60)  
पीसी कैबिनेट से एसएमपीएस निकालें। SMPS के आउटपुट कनेक्टर्स के प्रकारों को पहचानें। पीसी  
कैबिनेट के अंदर एसएमपीएस को ठीक करें और पीसी का परीक्षण करें।
  
3. How to clear web browser cache and to remove Junk Files from your PC. Also show any  
one step to clean your PC. (60)  
वेब ब्राउज़र कैश को कैसे साफ़ करें और अपने पीसी से जंक फाइल्स को हटाकर दिखावायें। अपने पीसी को  
साफ़ करने के किसी एक तरीके को दर्शायें।
  
4. How to check for corrupted files. Show measures to repair Corrupted Files Problems. (50)  
corrupted फ़ाइलों की जांच कैसे करें। corrupted फ़ाइलों की समस्या को सुधारने के उपाय दिखावायें।

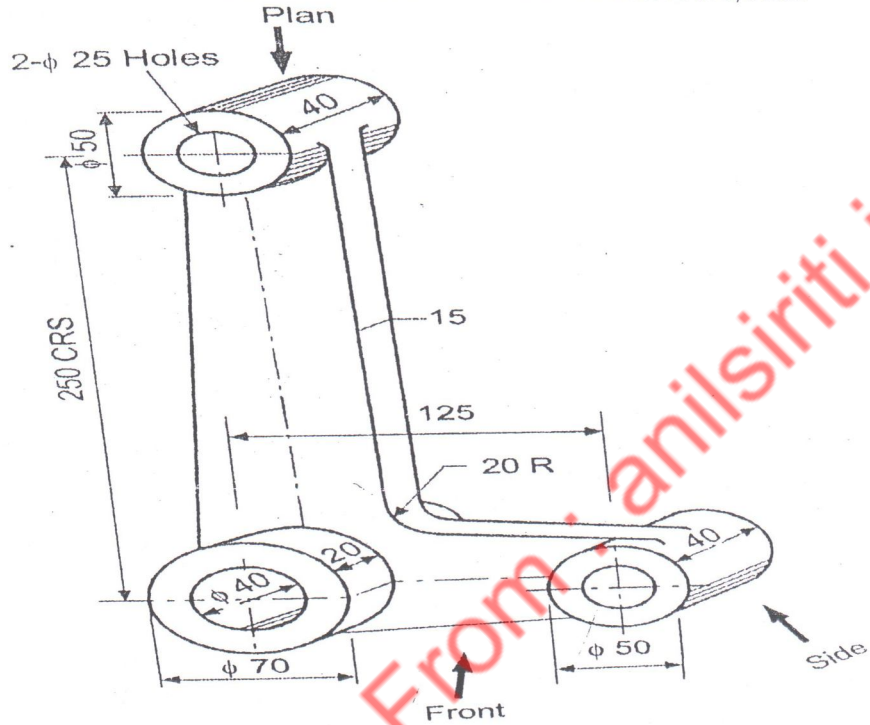
Downloaded From : anilsirriti.in

DRAUGHTSMAN (MECHANICAL)  
(Practical)  
Annual

Time : 8 Hrs

Marks- 250

1. Draw the orthographic projection in 3<sup>rd</sup> angle projection (front View, plan and side view) of the isometric view shown below. And Also Show the Section view at one of eye end.



l

Turner/Machinist /Machinist (Grinder)  
(Practical)  
Annual

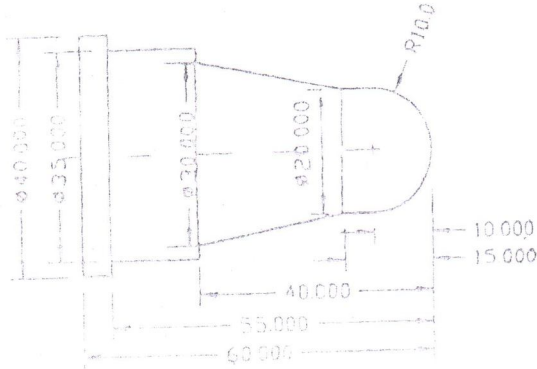
Time :8 Hrs

Marks- 250

Q.1 List out the measuring instruments, tools and equipment required for preparing the job as per the Drawing given below and Write the sequence of operations Marks: 20

Q.2. Prepare the job as per the drawing given below

Marks :230



Downloaded From : [anilsiriti.in](http://anilsiriti.in)

h

AIIT MARCH-2021  
MECHANIC AGRICULTURAL MACHINERY  
(PRACTICAL)

Note: Attempt all questions.

FM-250

1. Measure valve spring tension using Spring Tension Tester and write the procedure with neat diagram. 75 Mks  
स्प्रिंग टेन्शन टेस्टर की मदद से वॉल्व स्प्रिंग तनाव मापें एवं पूरी प्रक्रिया की सचित्र वर्णन करें।
2. Measure Cam height, Camshaft Journal Dia, Crankshaft Journal Dia, Valve stem Dia, Piston dia, and Piston pin dia with outside micrometer. Draw neat diagram of outside micrometer and write its parts. 75 Mks  
आउटसाइड माइक्रोमीटर की सहायता से कैमशाफ्ट जरनल डाय, वॉल्व स्टेम डाय, पिस्टन डाय मापें एवं आउटसाइड माइक्रोमीटर की स्वच्छ चित्र बनाते हुए उसको अंगों को लिखें।
3. Dismantle and assemble levelers, scrapers/blade terrace, ditchers and bund formers/dozer/dumper. 50 Mks  
लेवलरस, स्केपर, या डोजर को अलग अलग करके फिर उसे इक्टठा करें।
4. Dismantle the cultivator (spring/rigid) and check, repair and replace the components and assemble the cultivators. 50 Mks  
कल्टीवेटर को अलग अलग करके फिर से उसे इक्टठा करें।

*ha*

Downloaded From : anilsirji.in

AITT MACH-2021

TRADE - Mechanic cum operator electronic communication system.

Time : 8 Hours

Annual

Subject : practical

Marks : 250

Attempt any three questions. QNo.02 is compulsory.

- |   |   |     |
|---|---|-----|
| 1 | How to calculate resistance using colour code and confirm through multimeter. | 75  |
| 2 | Construct and test the series and parallel resonance circuit using CRO.       | 100 |
| 3 | Demonstrate construction and working principle of SMPS.                       | 75  |
| 4 | Measure DC voltage/current AC voltage/current phase, frequency by CRO.        | 75  |

Downloaded From : [anilsiriti.in](http://anilsiriti.in)

AITT EXAM. MARCH-2021  
SURVEYOR  
ANNUAL SYSTEM  
PRACTICAL

TIME: 8 HRS

FULL MARKS:250

1. Survey an area of ground with the help of intersection method. (80)

INTERSECTION की विधि की मदद से जमीन के एक क्षेत्र का सर्वेक्षण करें।

2. Draw a hexagon of base 4 m on ground with help of Compass. (80)

कम्पास की मदद से base 4 मीटर का एक षट्भुज ड्रा करें।

3. Set out a simple curve by successive bisection of arcs using chain and tape. (90)

Chain और Tape का उपयोग कर successive bisection of arcs द्वारा एक सरल वक्र सेट करें

\*\*\*\*\*

Downloaded From : [anilsiriji.in](http://anilsiriji.in)