

Answerkey

WORK FROM HOME – DVET RO Nashik MDES Group

ANNUAL PATTERN (Second Year)

QUESTIONS PAPER - Date – 19 July 2020

Two Year Trades (ET/EM/IT) Group

SUBJECT : ENGINEERING DRAWING

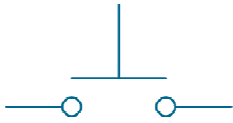
TIME - 3 Hrs.

MARKS – 50

Q.1 Draw the symbols of following (Any Ten)

10 Marks

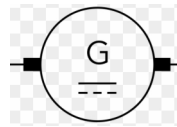
1) Push button



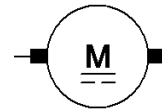
2) AC/DC



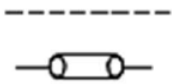
3) DC Generator



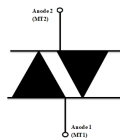
4) DC Motor



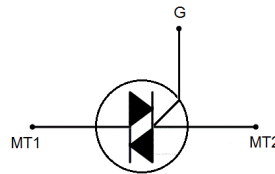
5) Neutral line



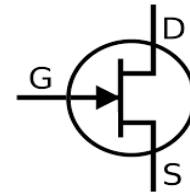
6) Diac



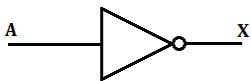
7) Triac



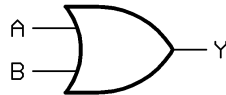
8) FET



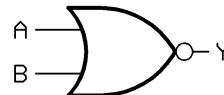
9) NOT Gate



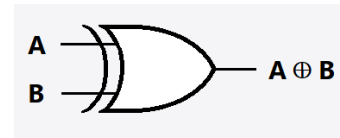
10) OR Gate



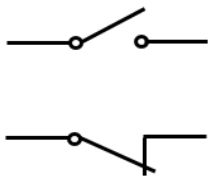
11) NOR Gate



12) Ex-OR Gate



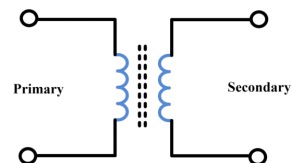
13) Contacts NO



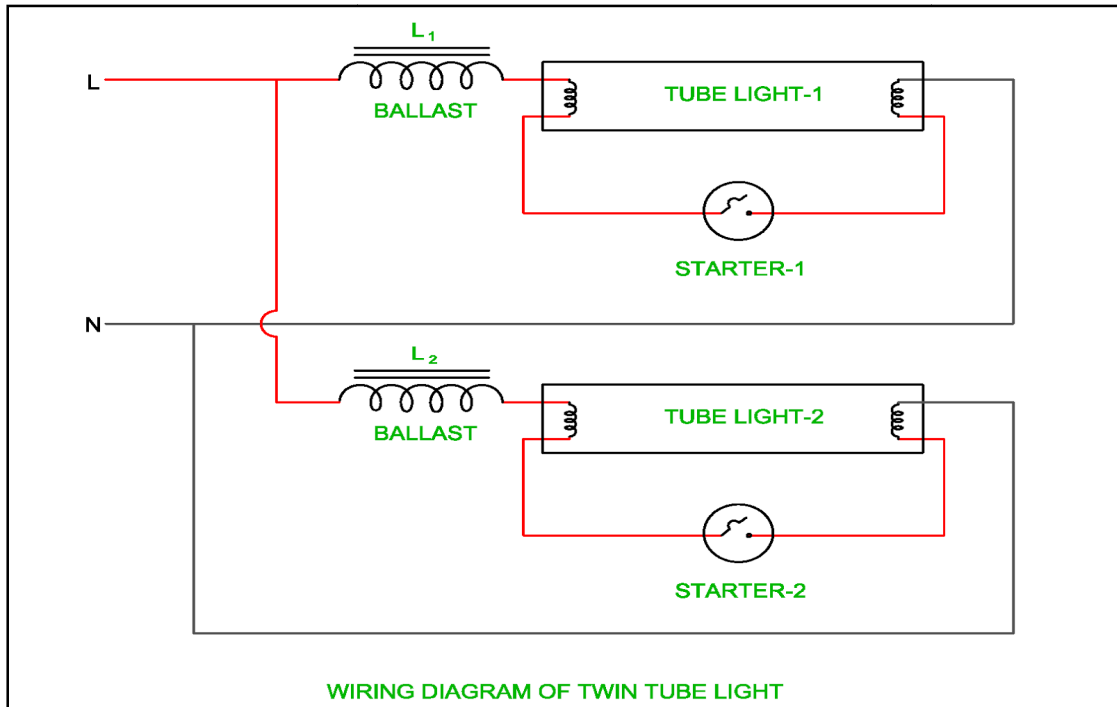
14) Connections Star, Delta



15) Transformer

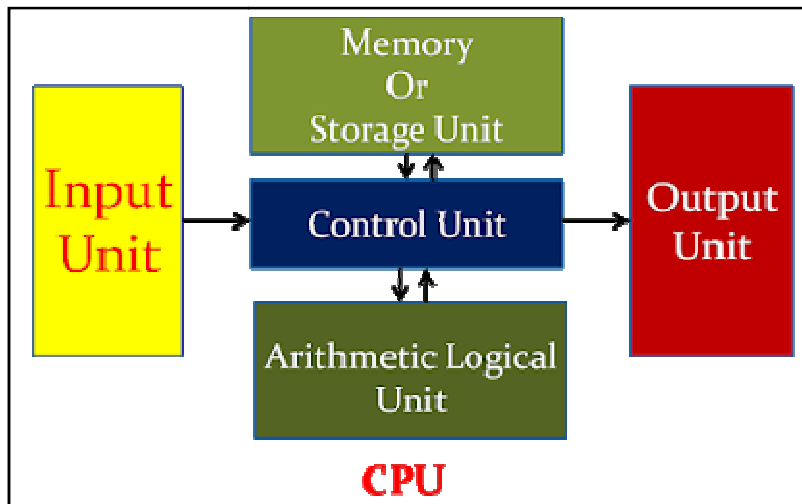


Q.2 Draw Neat Sketch Twin tube circuit diagram.

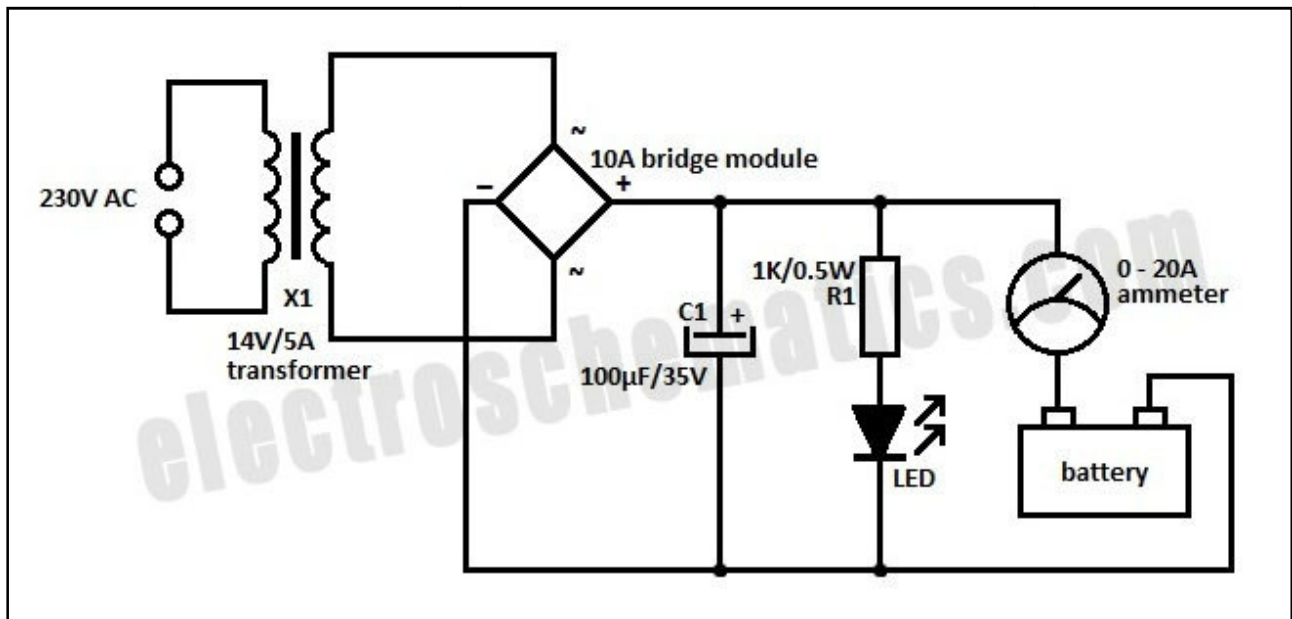


OR

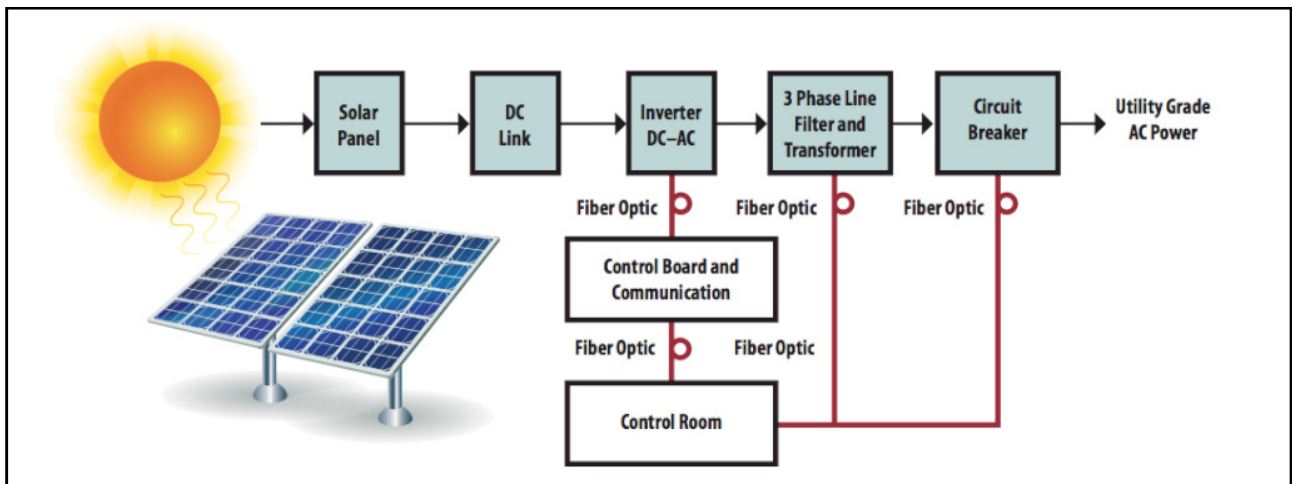
Block Diagram of Simple Computer



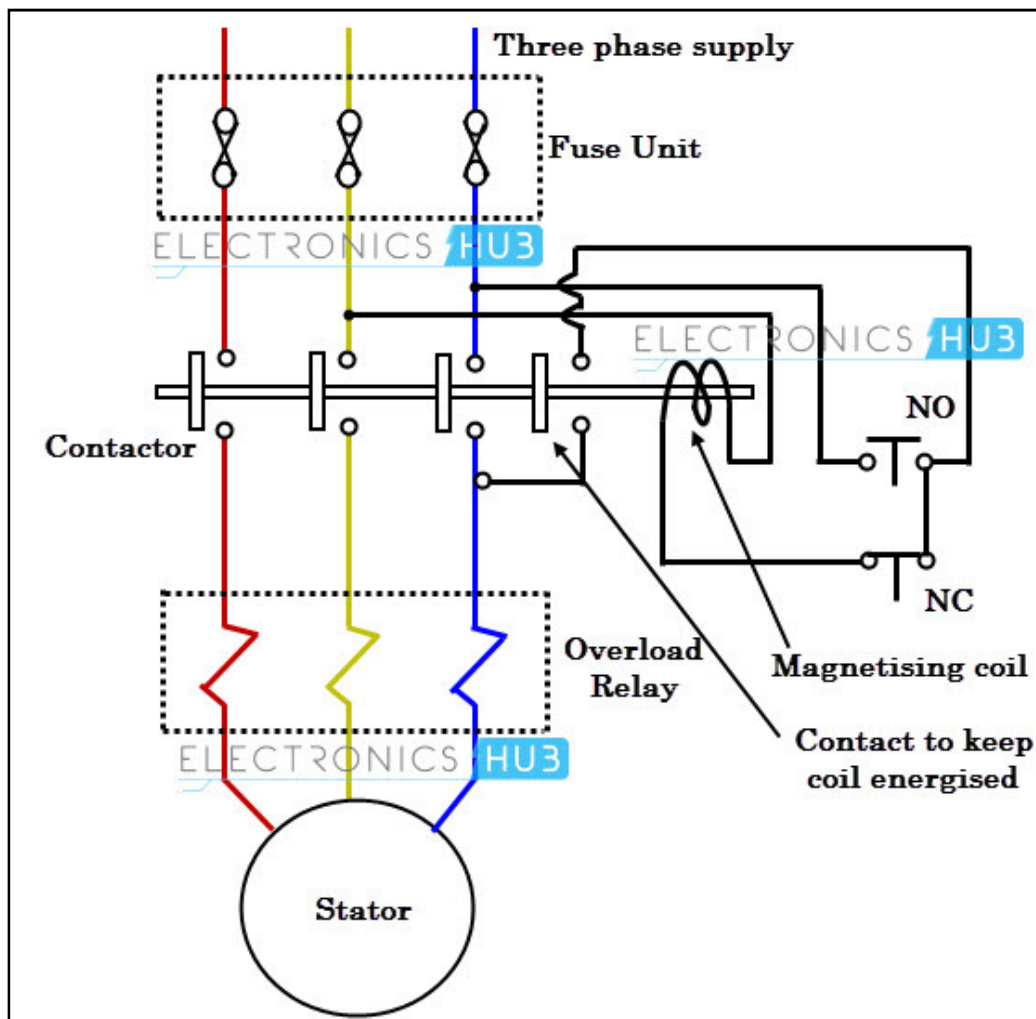
Q.3 Draw Battery Charging Circuit Diagram



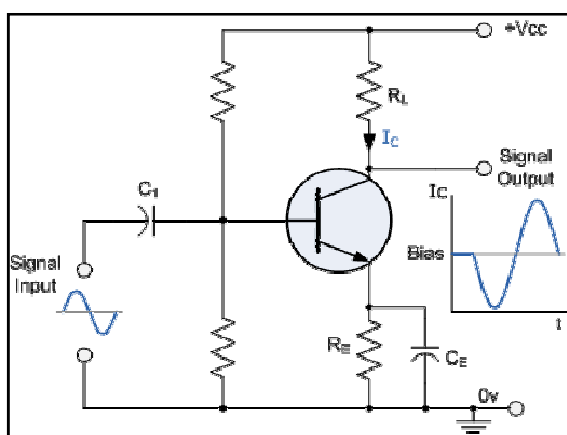
OR Block Diagram of Solar Power System



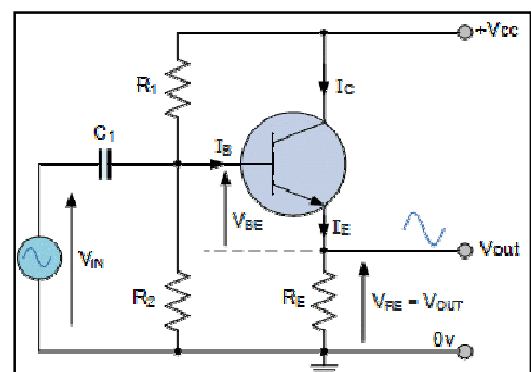
Q.4 Draw wiring diagram of DOL starter with protective devices



OR 1) Common emitter amplifier circuit 2) Common collector amplifier circuit

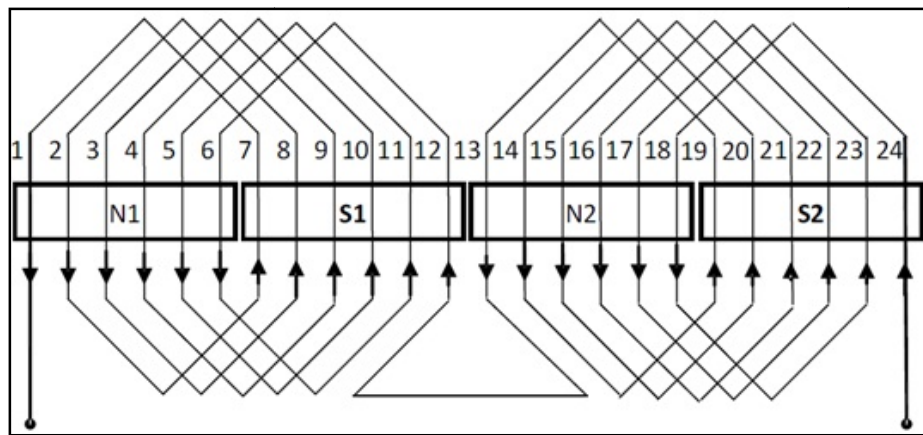
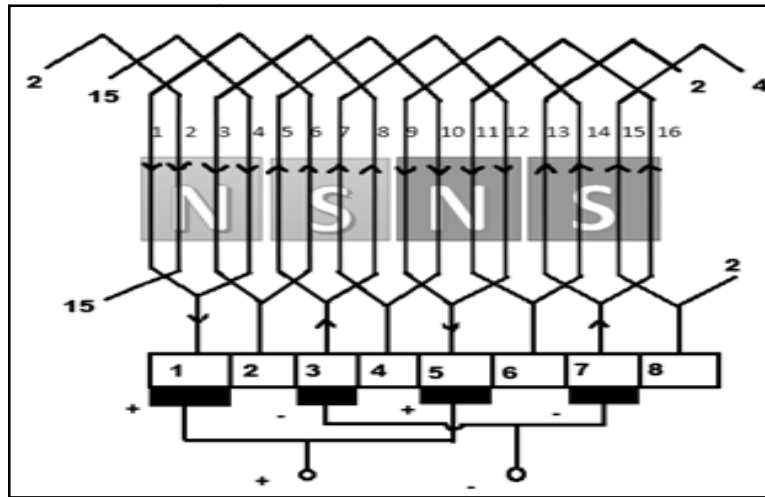


Common emitter amplifier circuit

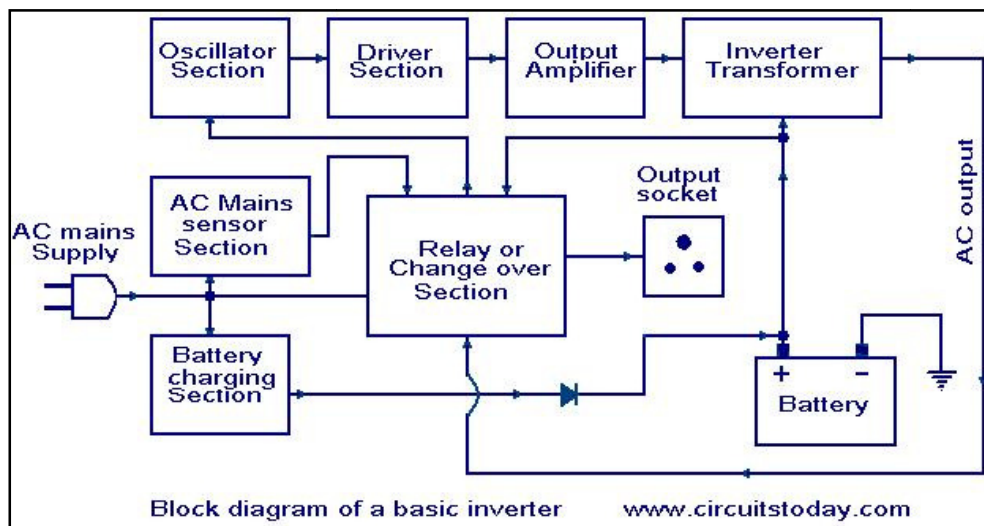


Common collector amplifier circuit

Q.5 Draw development of Lap Winding



OR Draw Block Diagram Printer mechanism



Answer key by Bhoi T.S (ITI Nandgaon)